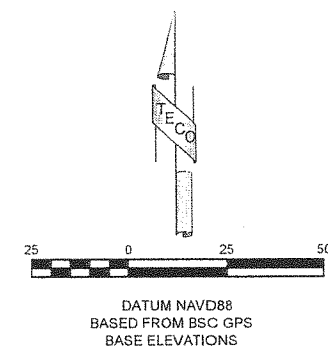
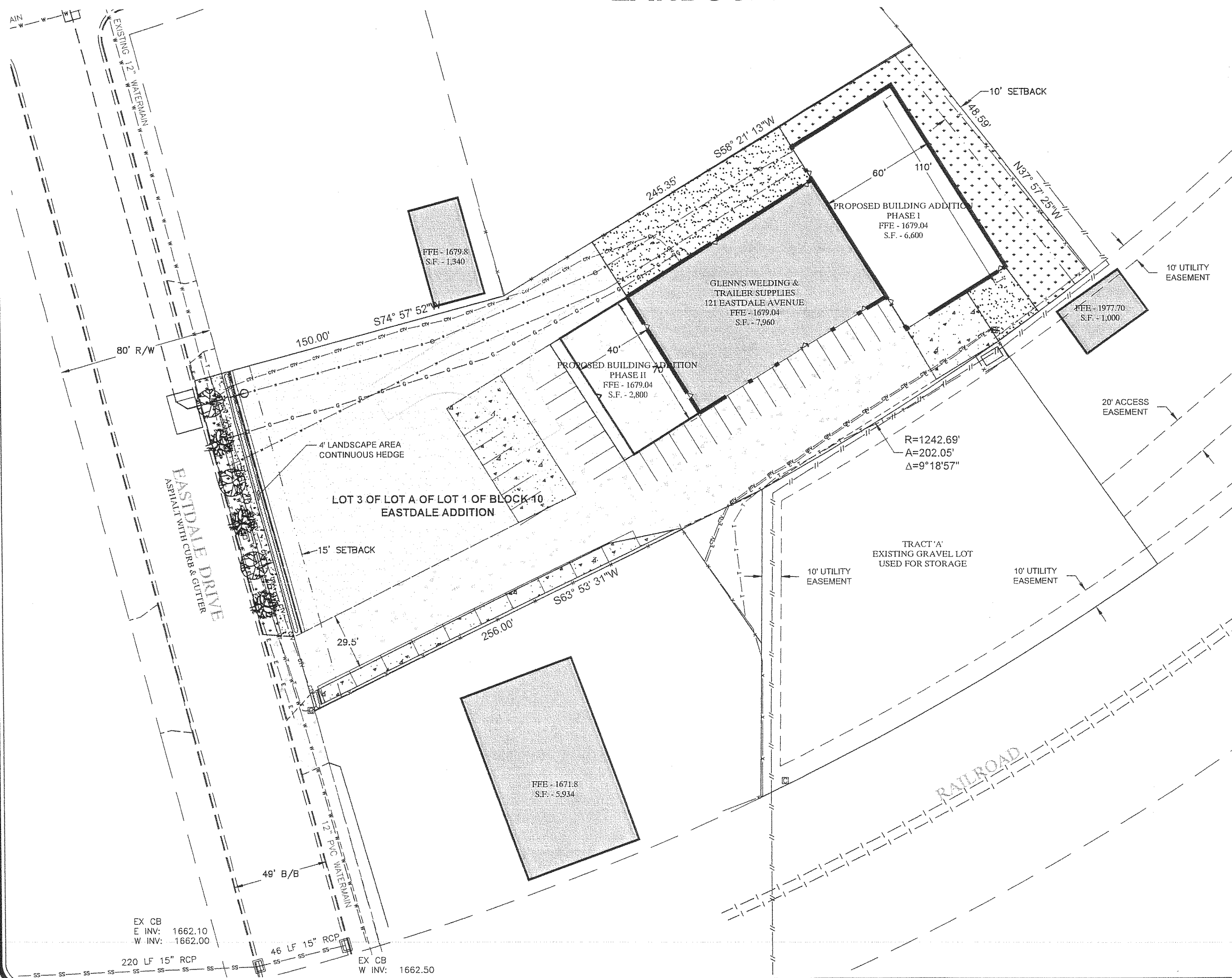


LANDSCAPE PLAN



LANDSCAPE LEGEND

- TREES:**
- AMUR MAPLE
H = 15' - 20', S = 25'
 - ACER GINNALA
SIZE=1-1/2" CALIPER, QUANTITY = 3
 - JAPANESE TREE LILAC
H = 25', S = 25'
 - SYRINGA RETICULATA
SIZE=1-1/2" CALIPER, QUANTITY = 3

- HEDGES:**
- PYGMY GLOBE ARBORVITAE
H = 2' - 4', S = 2' - 4'
 - THUJA OCCIDENTALIS 'PYGMY GLOBE'

APPROVED BY FORESTRY
M. J. Johnson
 CITY FORESTER 5-12-11
 TITLE DATE

APPROVED BY PLANNING
Jan Todal
 PLANNER
 TITLE DATE

- NOTES:**
- EROSION CONTROL SHALL BE PLACED IN DRAINAGE AREAS TO PREVENT ANY EROSION DUE TO WIND AND/OR RUNOFF

AVOID CUTTING UNDERGROUND UTILITY LINES IN YOUR AREA

TWO WORKING DAYS BEFORE YOU DIG-DRILL-BLAST IN NORTH DAKOTA - CALL TOLL FREE **1-800-795-0555** UTILITIES UNDERGROUND LOCATION CENTER

REGISTERED PROFESSIONAL ENGINEER
 ABRAHAM E. ULMER
 PE-6693
 DATE: 5-9-11
 NORTH DAKOTA

EX CB
 E INV: 1662.10
 W INV: 1662.00

220 LF 15" RCP

46 LF 15" RCP

EX CB
 W INV: 1662.50

TOMAN ENGINEERING
 501 1st Street NW, Mandan, ND 58554
 Phone: 701-663-6483 • Fax: 701-663-0923



PROJECT: **GLENN'S WELDING & TRAILER SUPPLIES**
 121 EASTDALE DRIVE
 BISMARCK, NORTH DAKOTA

NO.	REVISIONS	DATE	BY	DATE	BY	DATE

SHEET NUMBER
4
 OF 5 SHEETS